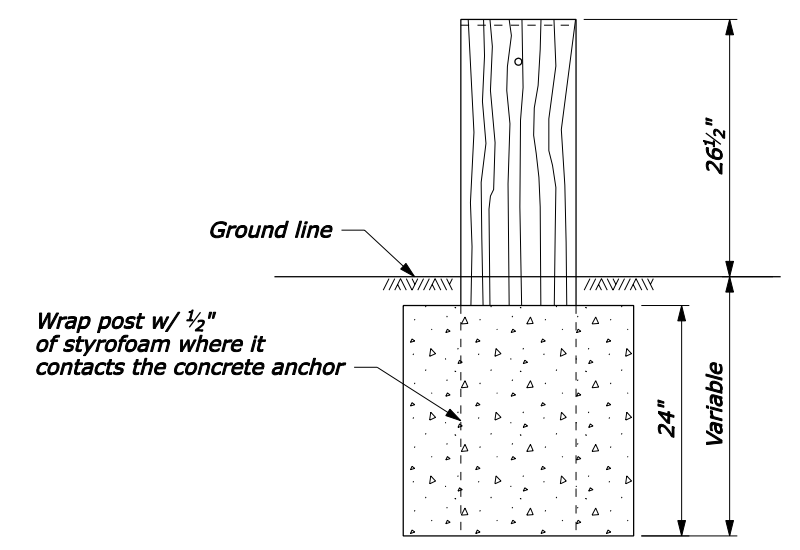
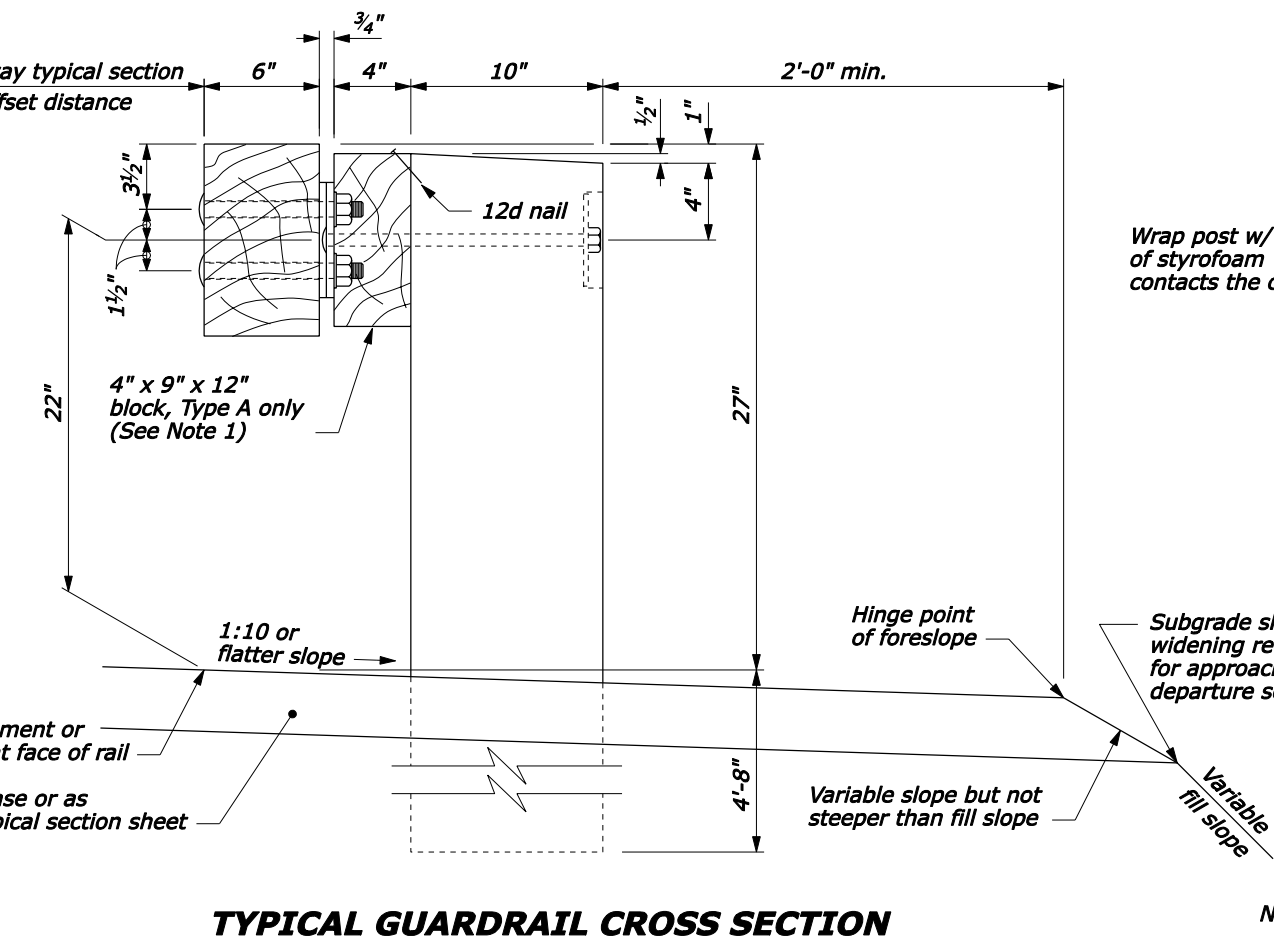
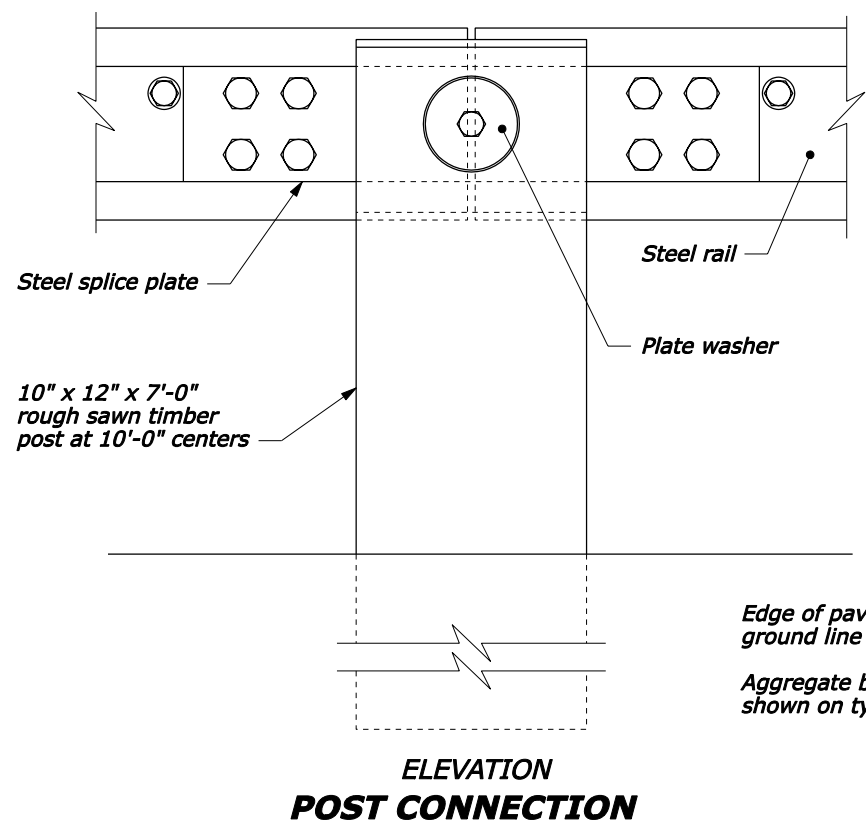
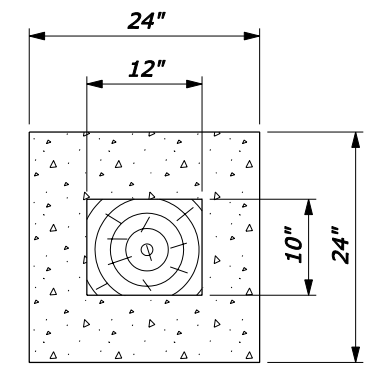
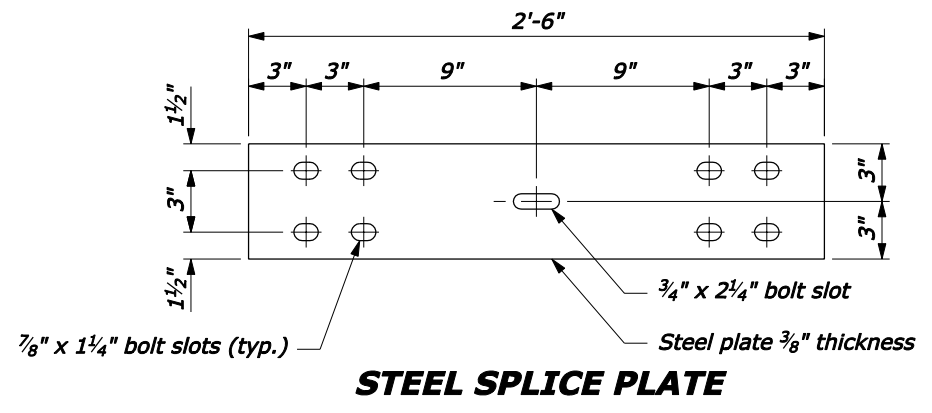
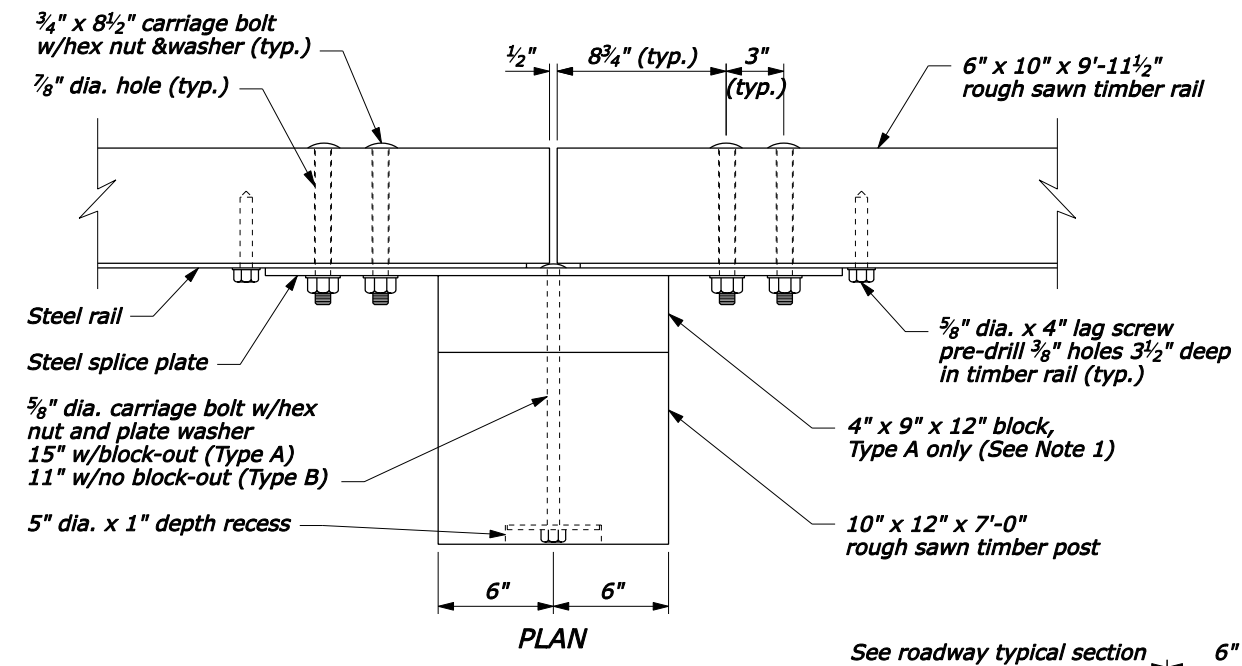


- NOTE:**
1. Use the Type A, blocked-out, system or the Type B, non-blocked-out, system as specified in the plans.
 2. Use weathering steel for all structural steel and fastener hardware as specified.
 3. Place a terminal section (See Standards 617-61 and 617-62) on both approach and trailing ends of barrier installations.



24" dia. round anchor is an acceptable alternative. Reduced size acceptable in solid rock.

CONCRETE ANCHOR FOR SHORT GUARDRAIL POST

U.S. DEPARTMENT OF TRANSPORTATION
FEDERAL HIGHWAY ADMINISTRATION
FEDERAL LANDS HIGHWAY

U.S. CUSTOMARY STANDARD

**STEEL-BACKED TIMBER GUARDRAIL
TYPE A & TYPE B**

| | |
|----------------------------------|----------|
| STANDARD APPROVED FOR USE 3/1990 | STANDARD |
| REVISED: 4/1994 6/2005 | 617-60 |

NO SCALE

F:\StdDraw\std61760.dgn [US Customary] 16-Jun-2005 03:53 PM